

## RESOURCE PERSONS

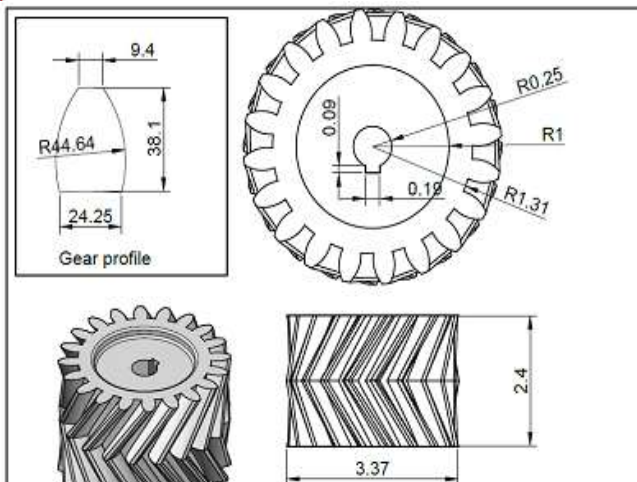
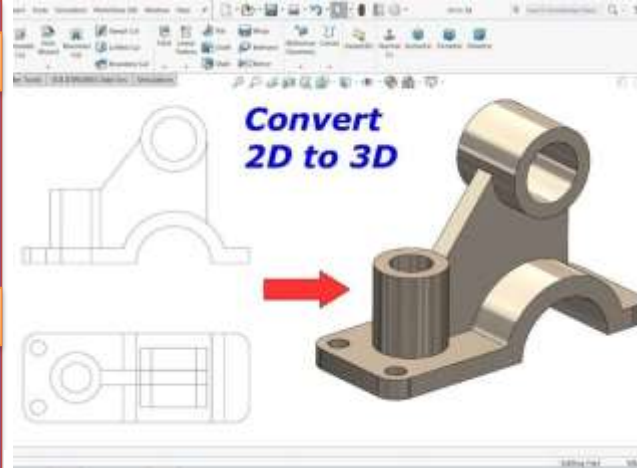
The resource persons Mr. S. J. Shinde, Assistant Professor from SVERI's College of Engineering, Pandharpur.

## MAJOR TOPICS

- Importance of AutoCAD software.
- Basics Introduction of AutoCAD and its Interfaces, Part Design, Assembly, Drafting, Sketcher, 2D & 3D Drawings tools.
- AutoCAD - Usage in Academics and Industries.
- Formulation of undergraduate/ post graduate and consultancy projects using the software.

## ABOUT THE PROGRAM

This training programme on "AutoCAD 2D & 3D Drawings for Design and Drafting" is being organized by SVERI's College of Engineering, Pandharpur. with an objective to provide a golden opportunity to students to learn about AutoCAD software and its various application in the field of academics, research & industry.



**SVERI's  
College of Engineering,  
Pandharpur**

**Department of Mechanical  
Engineering**

**Organizes  
Online  
Certificate Course  
on**

**"AutoCAD 2D & 3D  
Drawings for Design and**

**Date: 15th Feb-24th Feb. 2021**



## RESOURCE PERSONS

The resource persons Mr. S. D. Bhosale, Assistant Professor from SVERI's College of Engineering, Pandharpur .

## MAJOR TOPICS

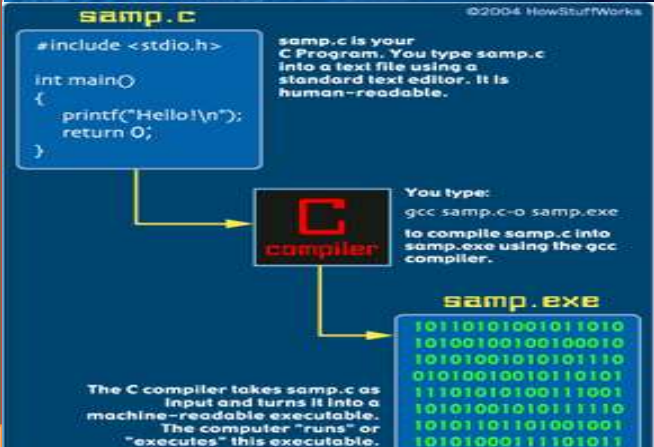
Basics in Structure of C program, Fundamentals in C.

Operators and Expressions, Data types, Input-Output Library Functions, Control statements, Function, Storage class, Pointer, Array, Strings.

- Importance of C language Software.
- C - Usage in Academics and Industries.

## ABOUT THE PROGRAM

This training programme on “C for Everyone: Programming Fundamentals” is being organized by SVERI's College of Engineering, Pandharpur with an objective to provide a golden opportunity to students to learn about C Language and its various application in the field of academics, research & industry.



**SVERI's**  
**College of Engineering,**  
**Pandharpur**

**Department of Mechanical**  
**Engineering**

**Organizes**  
**Online**  
**Certificate Course**  
**on**

**“C for Everyone: Programming**  
**Fundamentals”**

**Date: 8<sup>th</sup> Mar. to 15<sup>th</sup> Mar. 2021**





## ABOUT COURSE:

❖ Python is a high-level, object-oriented programming language that has recently been picked up by a lot of students as well as professionals due to its versatility, dynamic nature, robustness, and also because it is easy to learn. Not only this, it is now the second most loved and preferred language after JavaScript and can be used in almost all technical fields, be it machine learning, data science, web development, analytics, automation, testing, artificial intelligence, and a lot more.

❖ The purpose of “Advanced Programming Concepts in Python” is to achieve the Programming can enable you to work much faster and come up with more creative solutions than others who do not know how to program.

## RESOURCE PERSONS

1. Mr. D. T. Kashid,  
Assistant Professor, SVERI's COE,  
Pandharpur

## CHIEF PATRON

Dr. B. P. Ronge,  
Secretary (SVERI) and Principal, COE,  
Pandharpur

## CONVENER

Dr. S. S. Wangikar,  
Head, Mechanical Engineering Department.

## CO-CONVENER

Mr. A. K. Parkhe,  
Assistant Professor,  
Mechanical Engineering Department



SVERI's  
College of Engineering,  
Pandharpur

Department of Mechanical  
Engineering

Organizes

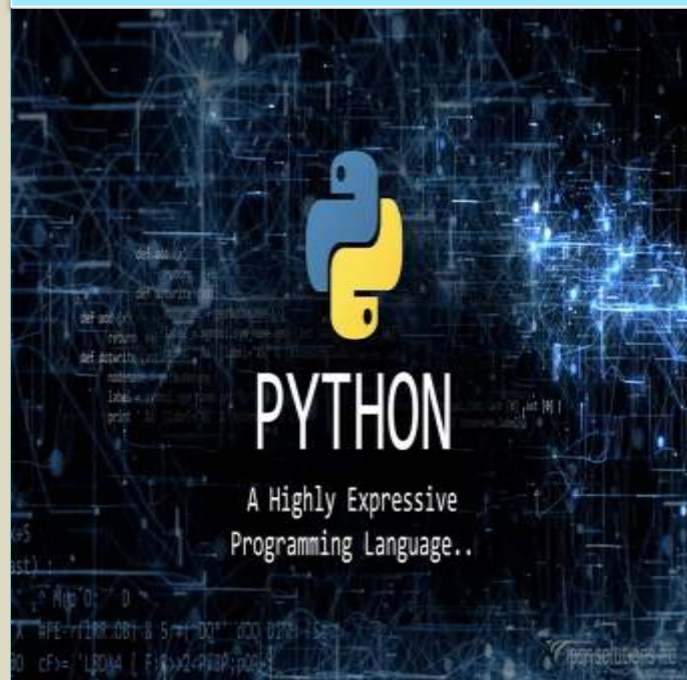
Online  
Certificate Course

on

“Advanced Programming  
Concepts in Python ”

Duration:

19<sup>th</sup> April -26<sup>th</sup> April, 2021



## CONTACT US

1. Ms. N P Kulkarni  
(84470465498)
2. Ms. S A Atole  
(8999264797)
3. Mr. S A Inamdar  
(8668460038)

Academic Year: 2020-21

Duration

01<sup>st</sup> February 2021 to 08<sup>th</sup>  
February 2021

Mode of Conduct: Online

Zoom Link

<https://zoom.us/j/92537508861?pwd=Qzg1OWkvTHNXRG10RytUajRaWlY0dz09>



## Training on Advanced C++ Programming

Recent years have witnessed a great deal of interest from both academia and industry in the field of antenna. In fact, this research topic tops the pyramid of research priorities requested by many national research agencies. So our department is providing the services for those researchers who are working in this field. Department is having Microwave Engineering Laboratory with well-equipped facilities. This is a good opportunity for researchers who are working on antenna to take benefit of this lab.

## RESOURCE PERSON

Mr.H K Bhaldar

SVERI'S COE, Pandharpur



**SVERI'S COLLEGE OF  
ENGINEERING PANDHARPUR**

**Department of Electronics  
and Telecommunication**



Accredited by NAAC, NBA & Institute of Engineers  
(India)

Approved by A.I.C.T.E., New Delhi and Affiliated to  
P.A.H. Solapur University, Solapur, P.B. No. 54,  
Gopalpur -Ranjani Road, Gopalpur, Pandharpur- 413  
304, District: Solapur (Maharashtra)  
Email Id: coe@sveri.ac.in

## ABOUT US

Pandharpur is well known holy place where Lord Shri Vithal Temple is located on bank of the river Chandrabhaga. It is recognized as spiritual capital of Maharashtra and popularly known as "South Kashi" of India. Shri Vithal Education and Research Institute (SVERI), a charitable trust formed by devoted technocrats, established its first Project, the SVERI's College of Engineering, Pandharpur in 1998. The Department of Electronics & Telecommunication Engineering was established in the year 1998. The department has 27 Qualified and Dedicated Faculty Members with the specialization with various areas. Department of E&TC have UG (Intake-120), PG (Intake-18) and Ph.D. programs. Department has 10 well equipped labs



## CONTACT US

1. Mr. Ashish A. Jadhav  
(8087534202)
2. Mr. Mahesh S. Mathpati  
(9503019997)
3. Ms. Sneha S. Kadam  
(8698026990)
4. Mr. Anil M. Kasture  
(9764497497)
5. Ms. Mohua Biswas  
(9366718199)

**Academic Year: 2020-21**  
**Duration**

**22<sup>nd</sup> February 2021 to 01<sup>st</sup> March**  
**2021**

### Mode of Conduct: Online

[HTTPS://ZOOM.US/J/94695277185  
?PWD=WGM1S0tETLPPMVNQVM  
KVETQ1ZG5KDZ09](https://zoom.us/j/94695277185?pwd=WGM1S0tETLPPMVNQVMKVETQ1ZG5KDZ09)



## PCB Design Using Arduino

Recent years have witnessed a great deal of interest from both academia and industry in the field of antenna. In fact, this research topic tops the pyramid of research priorities requested by many national research agencies. So our department is providing the services for those researchers who are working in this field. Department is having Microwave Engineering Laboratory with well-equipped facilities. This is a good opportunity for researchers who are working on manufacturing to take benefit of this lab.

### RESOURCE PERSON

**Mr.A A Jadhav**

**SVERI'S COE, Pandharpur**



**SVERI'S COLLEGE OF ENGINEERING**  
**PANDHARPUR**

## Department of Electronics and Telecommunication



**Accredited by NAAC, NBA & Institute of Engineers**  
**(India)**

Approved by A.I.C.T.E., New Delhi and Affiliated to  
P.A.H. Solapur University, Solapur, P.B. No. 54,  
Gopalpur -Ranjani Road, Gopalpur, Pandharpur- 413  
304, District: Solapur (Maharashtra)  
Email Id: [coe@sveri.ac.in](mailto:coe@sveri.ac.in)

### ABOUT US

Pandharpur is well known holy place where Lord Shri Vithal Temple is located on bank of the river Chandrabhaga. It is recognized as spiritual capital of Maharashtra and popularly known as "South Kashi" of India. Shri Vithal Education and Research Institute (SVERI), a charitable trust formed by devoted technocrats, established its first Project, the SVERI's College of Engineering, Pandharpur in 1998. The Department of Electronics & Telecommunication Engineering was established in the year 1998. The department has 27 Qualified and Dedicated Faculty Members with the specialization with various areas. Department of E&TC have UG (Intake-120), PG (Intake-18) and Ph.D. programs. Department has 10 well equipped labs

## CONTACT US

1. Dr. M M. Pawar  
(8087534202)
2. Mr. Mahesh S. Mathpati  
(9503019997)
3. Ms. Mohua Biswas  
(9366718199)

Academic Year: 2020-21  
Duration

15<sup>th</sup> March 2021 to 22<sup>nd</sup> March  
2021

Mode of Conduct: Online

[HTTPS://MEET.GOOGLE.COM/ZYQ-TMUX-YWX](https://meet.google.com/ZYQ-TMUX-YWX)



## Problem Solving Using MATLAB

Recent years have witnessed a great deal of interest from both academia and industry in the field of antenna. In fact, this research topic tops the pyramid of research priorities requested by many national research agencies. So our department is providing the services for those researchers who are working in this field. Department is having Microwave Engineering Laboratory with well-equipped facilities. This is a good opportunity for researchers who are working on manufacturing to take benefit of this lab.

## RESOURCE PERSON

Dr.M M Pawar

SVERI'S COE, Pandharpur



**SVERI'S COLLEGE OF ENGINEERING  
PANDHARPUR**

## Department of Electronics and Telecommunication



Accredited by NAAC, NBA & Institute of Engineers  
(India)

Approved by A.I.C.T.E., New Delhi and Affiliated to  
P.A.H. Solapur University, Solapur, P.B. No. 54,  
Gopalpur -Ranjani Road, Gopalpur, Pandharpur- 413  
304, District: Solapur (Maharashtra)  
Email Id: coe@sveri.ac.in

## ABOUT US

Pandharpur is well known holy place where Lord Shri Vithal Temple is located on bank of the river Chandrabhaga. It is recognized as spiritual capital of Maharashtra and popularly known as "South Kashi" of India. Shri Vithal Education and Research Institute (SVERI), a charitable trust formed by devoted technocrats, established its first Project, the SVERI's College of Engineering, Pandharpur in 1998. The Department of Electronics & Telecommunication Engineering was established in the year 1998. The department has 27 Qualified and Dedicated Faculty Members with the specialization with various areas. Department of E&TC have UG (Intake-120), PG (Intake-18) and Ph.D. programs. Department has 10 well equipped labs



## Resource Persons

1.	<b>Dr. P. M. Pawar</b>	Introduction and Orientation to Technical Drafting.
2.	<b>Mr. R. S. Sathe</b>	Introduction to Computer-Aided Drafting and Design.
3.	<b>Mr. A. B. Kokare</b>	.Design Processes and Methods
4.	<b>Mrs. S.S. Patil</b>	Use the AutoCAD visual reference commands
5.	<b>Mr. P. B. Bhaganagre</b>	Civil Building planning and drawing
6.	<b>Mrs. P. S. Lachyan</b>	different types of residential buildings
7.	<b>Mrs. S. C. Bagal</b>	partitions foundation sub substructure
8.	<b>Mrs. S. C. Bagal</b>	partitions foundation sub substructure

## About Registration

**Duration of Course:** 1<sup>st</sup> March– 10<sup>th</sup> March 2021

**Last Date to Register:** 27<sup>th</sup> February, 2021,  
8:00pm

**Mode of Conduction:** Online Google-Meet Platform

## Online Certificate course on “Introduction to AUTOCAD software”

1<sup>st</sup> March– 10<sup>th</sup> March 2021



In collaboration with  
**Nikhil Bagal And Narsale**  
**Construction**

Organized by  
**Department of Civil Engineering**



**SVERI's College of Engineering,  
Pandharpur**

Approved by AICTE, New Delhi; NBA Accredited for all eligible UG Programs;  
Accredited by NAAC; IIE, Kolkata & TCS, Pune. Also Certified by ISO 9001:2015.  
Affiliated to P. A. H. Solapur University, Solapur.

P.B. No. 54, Gopalpur-Ranjani Road, Gopalpur, Pandharpur-413304,  
Dist.-Solapur. (Maharashtra) - India

## About the Institute

Pandharpur is well known holy place for Lord Shri Vithal temple. It is recognized as Spiritual capital of Maharashtra and popularly known as 'South Kashi' of India. Shri Vithal Education & Research Institute (SVERI) is charitable trust formed by technocrats and established its first project as College of Engineering, Pandharpur in 1998, Approved by AICTE, New Delhi, all eligible UG Programs are NBA Accredited, Accredited by NAAC, The Institution of Engineers (India) Kolkata, & TCS Pune, ISO 9001:2015 Certified Institute, Affiliated to Punyashlok Ahilyadevi Holkar Solapur University, Solapur.

## About the Department

The Department of Civil Engineering was established in 2008. The Department offers UG (Intake-120), PG (Intake-18), and PhD Programmes. The UG program has been accredited by NBA three times. Currently, NBA accreditation is extended up to 2023. The Department has well qualified & dedicated faculty members. Civil Engineering Department is known for its high academic standard, well-maintained discipline & excellent infrastructure facilities along with the state-of-the-art laboratories. In addition to this, there are research laboratories like Concrete Technology, Geotechnical, Non Destructive Testing, fluid Mechanics along with CAD/STAAD/ETabs Software.

## About Course

AutoCAD is a computer-aided design software developed by the company Autodesk (hence the name AutoCAD). It allows you to draw and edit digital 2D and 3D designs more quickly and easily than you could by hand. The files can also be easily saved and stored in the cloud, so they be accessed anywhere at any time.

## CHIEF PATRON

**Prof. Dr. B. P. Ronge**  
**Founder Secretary, SVERI &**  
**Principal, SVERI's College of Engineering, Pandharpur**

## ADVISORY BOARD

**Prof. Suraj B. Ronge** (Trustee Member)  
**Prof. M. M. Pawar** (Campus In-Charge)  
**Dr. P. M. Pawar** (Dean, Academics)  
**Prof. S. R. Gavali** (Dean, Administration)  
**Dr. R. R. Gidde** (Dean, R & D)  
**Prof. K. B. Patil** (Dean, Students')  
**Prof. A. A. Mote** (Dean, P&CA)  
**Prof. A. A. Jadhav** (Dean, T&AA)  
**Dr. D. S. Chaudhari** (Dean, APP)

## CONVENOR

**Dr. P. M. Pawar**  
**Professor and Head,**  
**Department of Civil Engineering**

## COORDINATORS

**Mr. R. S. Sathe** (7972155412, rssathe@coe.sveri.ac.in)

## ORGANIZING COMMITTEE

**Mrs. S. S. Patil**                      **Mr. Y.B. Survase**  
**Ms. N. V. Mahamuni**              **Mr. H. R. Pawar**



## Resource Persons

1.	<b>Dr. P. M. Pawar</b>	Overview of Modelling
2.	<b>Dr. V. S. Kshirsagar</b>	Overview of Water Distribution Design & Modeling.
3.	<b>Mr. H. R. Pawar</b>	Basics of Hydraulics.
4.	<b>Mr. S. D. Jagdale</b>	Automated Building a Network using Model Builder.
5.	<b>Mrs. S. C. Bagal</b>	Using Water Distribution Models.
6.	<b>Mr. P. B. Bhaganagare</b>	Using Sewerage system Models.
7.	<b>Mrs. U. V. Gulhane</b>	Building a Network with Pumps, Tanks, and PRVs. Assigning Values via Using Flex Tables.

## About Registration

**Duration of Course:** 15<sup>th</sup> March–22<sup>th</sup> March 2021

**Last Date to Register:** 13<sup>th</sup> March, 2021, 8:00pm  
(No Registration Fee)

**Mode of Conduction:** Online Google-Meet Platform

## Online Certificate course on “Design of sewage system & water supply system using WaterGEMS ”

15<sup>th</sup> March – 22<sup>th</sup> March 2021



In collaboration with  
**Nikhil Bagal And Narsale  
Construction**

Organized by  
**Department of Civil Engineering**



**SVERI's College of Engineering,  
Pandharpur**

Approved by AICTE, New Delhi; NBA Accredited for all eligible UG Programs;  
Accredited by NAAC; IEI, Kolkata & TCS, Pune. Also Certified by ISO 9001:2015.  
Affiliated to P. A. H. Solapur University, Solapur.

P.B. No. 54, Gopalpur-Ranjani Road, Gopalpur, Pandharpur-413304,  
Dist.-Solapur. (Maharashtra) - India

## About the Institute

Pandharpur is well known holy place for Lord Shri Vithal temple. It is recognized as Spiritual capital of Maharashtra and popularly known as 'South Kashi' of India. Shri Vithal Education & Research Institute (SVERI) is charitable trust formed by technocrats and established its first project as College of Engineering, Pandharpur in 1998, Approved by AICTE, New Delhi, all eligible UG Programs are NBA Accredited, Accredited by NAAC, The Institution of Engineers (India) Kolkata, & TCS Pune, ISO 9001:2015 Certified Institute, Affiliated to Punyashlok Ahilyadevi Holkar Solapur University, Solapur.

## About the Department

The Department of Civil Engineering was established in 2008. The Department offers UG (Intake-120), PG (Intake-18), and PhD Programmes. The UG program has been accredited by NBA three times. Currently, NBA accreditation is extended up to 2023. The Department has well qualified & dedicated faculty members. Civil Engineering Department is known for its high academic standard, well-maintained discipline & excellent infrastructure facilities along with the state-of-the-art laboratories. In addition to this, there are research laboratories like Concrete Technology, Geotechnical, Non Destructive Testing, fluid Mechanics along with CAD/STAAD/ETabs Software.

## About Course

The purpose of this certified course is OpenFlows WaterGEMS provides you with a comprehensive yet easy-to-use decision-support tool for water distribution networks. The software helps improve your knowledge of how infrastructure behaves as a system, how it reacts to operational strategies, and how it should grow as population and demands increase.

## CHIEF PATRON

**Prof. Dr. B. P. Ronge**  
**Founder Secretary, SVERI &**  
**Principal, SVERI's College of Engineering, Pandharpur**

## ADVISORY BOARD

**Prof. Suraj B. Ronge** (Trustee Member)  
**Prof. M. M. Pawar** (Campus In-Charge)  
**Dr. P. M. Pawar** (Dean, Academics)  
**Prof. S. R. Gavali** (Dean, Administration)  
**Dr. R. R. Gidde** (Dean, R & D)  
**Prof. K. B. Patil** (Dean, Students')  
**Prof. A. A. Mote** (Dean, P&CA)  
**Prof. A. A. Jadhav** (Dean, T&AA)  
**Dr. D. S. Chaudhari** (Dean, APP)

## CONVENOR

**Dr. P. M. Pawar**  
**Professor and Head,**  
**Department of Civil Engineering**

## COORDINATORS

**Mrs. V. S. Kshirsagar** (7020063936, [yskshirsagar@coe.sveri.ac.in](mailto:yskshirsagar@coe.sveri.ac.in))

## ORGANIZING COMMITTEE

**Mrs. P. S. Lachyan**                      **Mr. M. G. Deshmukh**  
**Mr. S. D. Jagadale**                      **Mr. H. R. Pawar**



**Online Certificate Course on**  
**“Hands on experience on RCC structure by using STAAD-PRO software”**

15<sup>th</sup> March– 23<sup>th</sup> March 2021



***In Collaboration With***  
***Sarthak Construction***

**Organized by**  
**Department of Civil Engineering**  
**SVERI's College of Engineering,**  
**Pandharpur**

Approved by AICTE, New Delhi; NBA Accredited for all eligible UG Programs; Accredited by NAAC; IET, Kolkata & TCS, Pune. Also Certified by ISO 9001:2015. Affiliated to P. A. H. Solapur University, Solapur.  
P.B. No. 54, Gopalpur-Ranjani Road, Gopalpur, Pandharpur-413304,  
Dist.-Solapur. (Maharashtra) - India

**About the Institute**

Pandharpur is well known holy place for Lord Shri Vitthal temple. It is recognized as Spiritual capital of Maharashtra and popularly known as ‘South Kashi’ of India. Shri Vitthal Education & Research Institute (SVERI) is charitable trust formed by technocrats and established its first project as College of Engineering, Pandharpur in 1998, Approved by AICTE, New Delhi, all eligible UG Programs are NBA Accredited, Accredited by NAAC, The Institution of Engineers (India) Kolkata, & TCS Pune, ISO 9001:2015 Certified Institute, Affiliated to Punyashlok Ahilyadevi Holkar Solapur University, Solapur.

**About the Department**

The Department of Civil Engineering was established in 2008. The Department offers UG (Intake-120), PG (Intake-18), and PhD Programmes. The UG program has been accredited by NBA three times. Currently, NBA accreditation is extended up to 2023. The Department has well qualified & dedicated faculty members. Civil Engineering Department is known for its high academic standard, well-maintained discipline & excellent infrastructure facilities along with the state-of-the-art laboratories. In addition to this, there are research laboratories like Concrete Technology, Geotechnical Engineering, Non-destructive Testing, Fluid Mechanics etc. along with CAD/STAAD pro/ETabs Software.

**Course Overview**

The purpose of this training is to provide insight on advancement and research opportunities in various field of civil engineering. The eminent personalities of construction field will accumulate at one platform to discuss the various aspects during this training. Participants will receive a great aid to learn emerging technologies and thrust areas in civil

## Resource Persons

1	Dr. P. M. Pawar	RCC, Steel Precast, Special Structure
2	Dr. M. G. Deshmukh	Analysis and Design of Foundation
3	Dr. Mrs. S. S. Patil	Behaviour of Connections in Cold Formed Steel (CFS) Sections
4	Prof. M. M. Pawar	Concrete technology and Sustainable Material
5	Mr. A. B. Kokare	Reliability Analysis and Reassessment of Structures
6	Mr. S. A. Gosavi	Concrete Durability
7	Mr. B.M. Malagimani	Behaviour of Reinforced and Pre-stressed Concrete Member
8	Mrs. S. P. Patil	High Performance Concrete
9	Mr. P. B. Bhaganagare	Behaviour of High Strength Steel Sections
10	Mrs. S. C. Bagal	Numerical Modelling and Optimization Techniques

## Training Schedule

Session 1	10.00 am to 12.00 pm
Recess	12.00 pm to 1.00 pm
Session 2	1.00 pm to 3.00 pm

### CHIEF PATRON

Prof. Dr. B. P. Ronge  
Founder Secretary, SVERI &  
Principal, SVERI's College of Engineering,  
Pandharpur

### ADVISORY BOARD

Prof. Suraj B. Ronge (Trustee Member)  
Prof. M. M. Pawar (Campus In-Charge)  
Dr. P. M. Pawar (Dean, Academics)  
Prof. S. R. Gavali (Dean, Administration)  
Dr. R. R. Gidde (Dean, R & D)  
Prof. K. B. Patil (Dean, Students')  
Prof. A. A. Mote (Dean, P&CA)  
Prof. A. A. Jadhav (Dean, T&AA)  
Dr. D. S. Chaudhari (Dean, APP)

### CONVENOR

Dr. P. M. Pawar  
Professor and Head,  
Civil Engineering Department

### COORDINATORS

Dr. S. A. Gosavi      9146367210  
[sagosavi@coe.sveri.ac.in](mailto:sagosavi@coe.sveri.ac.in)

### ORGANIZING COMMITTEE

Mr. P. B. Bhaganagare  
Mrs. S.P. Patil

## WHAT IS STAAD.PRO?

STAAD is a popular structural analysis application known for analysis, diverse applications of use, interoperability, and time-saving capabilities. STAAD helps structural engineers perform 3D structural analysis and design for both steel and concrete structures.

A physical model created in the structural design software can be transformed into an analytical model for structural analysis. Many design code standards are incorporated into STAAD to make sure that the structural design complies with local regulations.



## Resource Persons

1.	Prof. A. A. Tekale	Introduction of MATLAB
2.	Dr, D .A. Tamboli	Features of MATLAB
3.	Prof. V. A. Sawant	MATLAB Simulink and Simulation
4.	Prof. M.S. Yadrami	MATLAB Script Programming

## About Registration

**Duration of Course:** 15<sup>th</sup> March – 27<sup>st</sup> March, 2021

**Last Date to Register:** 14<sup>th</sup> March 2021  
(No Registration Fee)

**Mode of Conduction: Online**

## Certificate Course on "MATLAB Programming"

15<sup>th</sup> March – 27<sup>st</sup> March, 2021



Organized By

Department of Electrical Engineering



**SVERI's College of Engineering,  
Pandharpur**

Approved by AICTE, New Delhi; NBA Accredited for all eligible UG Programs;  
Accredited by NAAC; IEI, Kolkata & TCS, Pune. Also Certified by ISO 9001:2015.  
Affiliated to P. A. H. Solapur University, Solapur.

P.B. No. 54, Gopalpur-Ranjani Road, Gopalpur, Pandharpur-413304,  
Dist.-Solapur, (Maharashtra) - India



## About the Institute

Pandharpur is well known holy place for Lord Shri Vithal temple. It is recognized as Spiritual capital of Maharashtra and popularly known as 'South Kashi' of India. Shri Vithal Education & Research Institute (SVERI) is charitable trust formed by technocrats and established its first project as College of Engineering, Pandharpur in 1998, Approved by AICTE, New Delhi, all eligible UG Programs are NBA Accredited, Accredited by NAAC, The Institution of Engineers (India) Kolkata, & TCS Pune, ISO 9001:2015 Certified Institute, Affiliated to Punyashlok Ahilyadevi Holkar Solapur University, Solapur.

## About the Department

The Department of Electrical Engineering was established in 2018-2019. The Department offers UG (Intake-160) Programmes. The Department has well qualified & dedicated 12 faculty members including one doctorate faculty and two are pursuing their doctoral degree. These faculty members have specialization in various areas. The departmental faculty members have published papers in various conferences and journals. The department has signed MoUs with different industries through which students are benefited with training, industrial visits and interactions with industry experts. Electrical Engineering Department is known for its high academic standard, well-maintained discipline & excellent infrastructure facilities. The department has 8 well-equipped laboratories and ICT enable of classrooms.

## About Course

The purpose of this certificate course is to provide insight on advancement and research opportunities in various field of MATLAB Programming. The recourse persons from electrical field will accumulate at one platform to discuss the various aspects during this program. Students will receive a great aid to learn MATLAB concepts and thrust areas in Software Programming through this certificate course.

## CHIEF PATRON

**Prof. Dr. B. P. Ronge**  
**Founder Secretary, SVERI &**  
**Principal, SVERI's College of Engineering, Pandharpur**

## ADVISORY BOARD

**Prof. Suraj B. Ronge** (Trustee Member)  
**Prof. M. M. Pawar** (Campus In-Charge)  
**Dr. P. M. Pawar** (Dean Academics)  
**Dr. M. B. Kulkarni** (Dean Administration)  
**Dr. R. R. Gidde** (Dean R & D)  
**Prof. K. B. Patil** (Dean Students' & Admission)  
**Prof. A. A. Mote** (Dean P&CA)  
**Prof. V. R. Chavan** (Dean T&AA)  
**Dr. D. S. Chaudhari** (Dean PP)

## CONVENOR/ HOD

**Dr. D. A. Tamboli**  
**Associate Professor and Head,**  
**Department of Electrical Engineering**

## COORDINATORS

**Prof. D. D. Daphale** (9767515023, [dddaphale@coe.sveri.ac.in](mailto:dddaphale@coe.sveri.ac.in))

## ORGANIZING COMMITTEE

**Prof. S.D. Kolekar**

**Prof. M. K. Pawar**

## Resource Persons

1.	Prof. A. A. Tekale	History of Electrical Vehicles
2.	Dr. D .A. Tamboli	Types of Electrical Vehicle
3.	Prof. C. Veeresh	Battery Management in Electrical Vehicles
4.	Prof. M.S. Yadrami	Challenges and Future Scope of Electrical Vehicles

## About Registration

**Duration of Course:** 5<sup>th</sup> April – 17<sup>th</sup> April, 2021

**Last Date to Register:** 4<sup>th</sup> April 2021

**(No Registration Fee)**

**Mode of Conduction: Online**

## Certificate Course on "Introduction to Electrical Vehicle"

5<sup>th</sup> April – 17<sup>th</sup> April, 2021



Organized By

Department of Electrical Engineering



**SVERI's College of Engineering,  
Pandharpur**

Approved by AICTE, New Delhi; NBA Accredited for all eligible UG Programs; Accredited by NAAC; IEI, Kolkata & TCS, Pune. Also Certified by ISO 9001:2015. Affiliated to P. A. H. Solapur University, Solapur.

P.B. No. 54, Gopalpur-Ranjani Road, Gopalpur, Pandharpur-413304,  
Dist.-Solapur, (Maharashtra) - India

## About the Institute

Pandharpur is well known holy place for Lord Shri Vithal temple. It is recognized as Spiritual capital of Maharashtra and popularly known as 'South Kashi' of India. Shri Vithal Education & Research Institute (SVERI) is charitable trust formed by technocrats and established its first project as College of Engineering, Pandharpur in 1998, Approved by AICTE, New Delhi, all eligible UG Programs are NBA Accredited, Accredited by NAAC, The Institution of Engineers (India) Kolkata, & TCS Pune, ISO 9001:2015 Certified Institute, Affiliated to Punyashlok Ahilyadevi Holkar Solapur University, Solapur.

## About the Department

The Department of Electrical Engineering was established in 2018-2019. The Department offers UG (Intake-160) Programmes. The Department has well qualified & dedicated 12 faculty members including one doctorate faculty and two are pursuing their doctoral degree. These faculty members have specialization in various areas. The departmental faculty members have published papers in various conferences and journals. The department has signed MoUs with different industries through which students are benefited with training, industrial visits and interactions with industry experts. Electrical Engineering Department is known for its high academic standard, well-maintained discipline & excellent infrastructure facilities. The department has 8 well-equipped laboratories and ICT enable of classrooms.

## About Course

The purpose of this certificate course is to provide insight on advancement and research opportunities in various field of MATLAB Programming. The recourse persons from electrical field will accumulate at one platform to discuss the various aspects during this program. Students will receive a great aid to learn MATLAB concepts and thrust areas in Software Programming through this certificate course.

## CHIEF PATRON

**Prof. Dr. B. P. Ronge**  
**Founder Secretary, SVERI &**  
**Principal, SVERI's College of Engineering, Pandharpur**

## ADVISORY BOARD

**Prof. Suraj B. Ronge** (Trustee Member)  
**Prof. M. M. Pawar** (Campus In-Charge)  
**Dr. P. M. Pawar** (Dean Academics)  
**Dr. M. B. Kulkarni** (Dean Administration)  
**Dr. R. R. Gidde** (Dean R & D)  
**Prof. K. B. Patil** (Dean Students' & Admission)  
**Prof. A. A. Mote** (Dean P&CA)  
**Prof. V. R. Chavan** (Dean T&AA)  
**Dr. D. S. Chaudhari** (Dean PP)

## CONVENOR/ HOD

**Dr. D. A. Tamboli**  
**Associate Professor and Head,**  
**Department of Electrical Engineering**

## COORDINATORS

**Prof. D. D. Daphale** (9767515023, [dddaphale@coe.sveri.ac.in](mailto:dddaphale@coe.sveri.ac.in))

## ORGANIZING COMMITTEE

**Prof. V. A. Sawant**

**Prof. S. D. Kolekar**



# SVERI'S COLLEGE OF ENGINEERING, PANDHARPUR

Approved by AICTE, New Delhi; NBA Accredited for all eligible UG Programs;  
Accredited by NAAC; IET, Kolkata & TCS, Pune. Also Certified by ISO  
9001:2015.

Affiliated to P. A. H. Solapur University, Solapur.

**WE CULTIVATE GREATNESS  
BY CREATING THE BEST  
LEARNING ENVIRONMENT**



## ABOUT THE INSTITUTE

Pandharpur is well known holy place for Lord Shri Vithal temple. It is recognized as Spiritual capital of Maharashtra and popularly known as 'South Kashi' of India. Shri Vithal Education & Research Institute (SVERI) is charitable trust formed by technocrats and established its first project as College of Engineering, Pandharpur in 1998, Approved by AICTE, New Delhi, all eligible UG Programs are NBA Accredited, Accredited by NAAC, The Institution of Engineers (India) Kolkata, & TCS Pune, ISO 9001:2015 Certified Institute, Affiliated to Punyashlok Ahilyadevi Holkar Solapur University, Solapur.

[www.reallygreatsite.com](http://www.reallygreatsite.com)



# ONLINE CERTIFICATE COURSE 'ENTREPRENEUR & STARTUP'

## CHIEF PATRON

Prof. Dr. B. P. Ronge  
Founder Secretary, SVERI &

Principal, SVERI's College of  
Engineering, Pandharpur

## Resource Persons

Mr. Patil G.G.  
SVERI's COE.

## COORDINATORS

Prof V.M Sale

## TOPICS TO BE COVERED

---

- \*Start-up opportunities.
- \*Startup Capital Requirements and Legal Environment.
- \*Starting up Financial Issues.
- \*Start-up Survival and Growth.
- \*Planning for Harvest and Exit

7 JUNE - 11 JUNE 2021

---

## CONTACT US

---

P.B. No. 54, Gopalpur-Ranjani Road,  
Gopalpur, Pandharpur-413304,  
Dist.-Solapur, (Maharashtra) - India

## ORGANIZED BY

---

Department of Computer  
science and engineering

---





# SVERI'S COLLEGE OF ENGINEERING, PANDHARPUR

Approved by AICTE, New Delhi; NBA Accredited for all eligible UG Programs;  
Accredited by NAAC; IET, Kolkata & TCS, Pune. Also Certified by ISO  
9001:2015.

Affiliated to P. A. H. Solapur University, Solapur.

**WE CULTIVATE GREATNESS  
BY CREATING THE BEST  
LEARNING ENVIRONMENT**

## ABOUT THE INSTITUTE

Pandharpur is well known holy place for Lord Shri Vithal temple. It is recognized as Spiritual capital of Maharashtra and popularly known as 'South Kashi' of India. Shri Vithal Education & Research Institute (SVERI) is charitable trust formed by technocrats and established its first project as College of Engineering, Pandharpur in 1998, Approved by AICTE, New Delhi, all eligible UG Programs are NBA Accredited, [www.reallygreatsite.com](http://www.reallygreatsite.com) Accredited by NAAC, The Institution of Engineers (India) Kolkata, & TCS Pune, ISO 9001:2015 Certified Institute, Affiliated to Punyashlok Ahilyadevi Holkar Solapur University, Solapur.





# ONLINE CERTIFICATE COURSE 'IOT USING ARDUINO'

## CHIEF PATRON

Prof. Dr. B. P. Ronge  
Founder Secretary, SVERI &

PRINCIPAL, SVERI'S COLLEGE OF  
ENGINEERING, PANDHARPUR

## RESOURCE PERSONS

MR. DARSHANE S.V.  
SVERI'S COLLEGE OF ENGINEERING

## COORDINATORS

Prof V.M Sale



## TOPICS TO BE COVERED

---

- \*Introduction to IOT.
- \*Arduino Simulation
- \*Environment.
- \*Sensor & Actuators with
- \*Arduino.
- \*Basic Networking with
- \*ESP8266 WiFi .
- \*IoT Protocols.
- \*Cloud Platforms for IOT.

10MAY- 15 MAY 2021

## CONTACT US

---

P.B. No. 54, Gopalpur-Ranjani Road,  
Gopalpur, Pandharpur-413304,  
Dist.-Solapur, (Maharashtra) - India

## ORGANIZED BY

---

DEPARTMENT OF COMPUTER  
SCIENCE AND ENGINEERING

---



# SVERI'S COLLEGE OF ENGINEERING, PANDHARPUR

Approved by AICTE, New Delhi; NBA Accredited for all eligible UG Programs;  
Accredited by NAAC; IET, Kolkata & TCS, Pune. Also Certified by ISO  
9001:2015.

Affiliated to P. A. H. Solapur University, Solapur.

**WE CULTIVATE GREATNESS  
BY CREATING THE BEST  
LEARNING ENVIRONMENT**



## ABOUT THE INSTITUTE

Pandharpur is well known holy place for Lord Shri Vithal temple. It is recognized as Spiritual capital of Maharashtra and popularly known as 'South Kashi' of India. Shri Vithal Education & Research Institute (SVERI) is charitable trust formed by technocrats and established its first project as College of Engineering, Pandharpur in 1998, Approved by AICTE, New Delhi, all eligible UG Programs are NBA Accredited, Accredited by NAAC, The Institution of Engineers (India) Kolkata, & TCS Pune, ISO 9001:2015 Certified Institute, Affiliated to Punyashlok Ahilyadevi Holkar Solapur University, Solapur.



# ONLINE CERTIFICATE COURSE "BLOCKCHAIN"

## CHIEF PATRON

PROF. DR. B. P. RONGE  
FOUNDER SECRETARY, SVERI & AMP;

PRINCIPAL, SVERI'S COLLEGE OF  
ENGINEERING, PANDHARPUR

## RESOURCE PERSONS

MR. SHINDE S.M.  
SVERI'S COE.

## COORDINATORS

PROF V.M SALE



## TOPICS TO BE COVERED

---

- \*Introduction.
- \*Cryptographic Algorithms.
- \*Data Integrity Algorithms.
- \*Email And Ip Security.
- \*Web And System Security.

24 MAY- 29 MAY 2021

## CONTACT US

---

P.B. No. 54, Gopalpur-Ranjani Road,  
Gopalpur, Pandharpur-413304,  
Dist.-Solapur, (Maharashtra) - India

## ORGANIZED BY

---

DEPARTMENT OF COMPUTER  
SCIENCE AND ENGINEERING

---



## Resource Persons

**Mr. Karan B. Patil**  
**BA., MBA, M.Phil, GDCA&A(PhD)**  
**(Overview of GST Law)**

**Dr. Rajshokhar R. Yelkar**  
**B.Com, MBA, PhD**  
**(Scope of Supply of Goods & Services)**

**Dr. Kamal P. Galani**  
**BBA, MBA, NET, PhD**  
**(Composition Scheme)**

**Mr. Suraj B. Ronge**  
**BE, PGDBM, (PhD)**  
**(GST Registration & Amendment Process)**

*Certificate course on*  
**"GST"**

12<sup>th</sup> July- 10<sup>th</sup> Oct, 2021



Organized by

**Department of Master of Business Administration**



**SVERI's College of Engineering,  
Pandharpur**

Approved by AICTE, New Delhi; NBA Accredited for all eligible UG Programs;  
Accredited by NAAC(UET, Kolkata); TCS, Pune. Also Certified by ISO 9001:2015.  
Affiliated to P. A. H. Solapur University, Solapur.

P. B. No. 54, Gopalpur-Ranjani Road, Gopalpur, Pandharpur-413304,  
Dist.-Solapur, (Maharashtra) - India

## About the Institute

Pandharpur is well known holy place for Lord Shri Vitthal temple. It is recognized as Spiritual capital of Maharashtra and popularly known as 'South Kashi' of India. Shri Vitthal Education & Research Institute (SVERI) is charitable trust formed by technocrats and established its first project as College of Engineering, Pandharpur in 1998. Approved by AICTE, New Delhi, all eligible UG Programs are NBA Accredited. Accredited by NAAC, The Institution of Engineers (India) Kolkata, & TCS Pune. ISO 9001:2015 Certified Institute, Affiliated to Punyashlok Ahilyadevi Holkar Solapur University, Solapur.

## About the Department

The trust continuing its tradition of imparting knowledge to the Students of rural area started the Course of Master of Business Administration in the Academic Year: 2008-09. The MBA Department is one of the leading departments dedicated to provide Excellence for corporate world in the form of competent students. Focusing on overall development and need of the industries, curriculum is designed in such a way that, it will provide blend of theoretical knowledge and practical exposure.

## CHIEF PATRON

**Prof. Dr. B. P. Ronge**  
Founder Secretary, SVERI &  
Principal, SVERI's College of Engineering, Pandharpur

## ADVISORY BOARD

**Prof. Suraj B. Ronge** (Trustee Member)  
**Prof. M. M. Pawar** (Campus In-Charge)  
**Dr. P. M. Pawar** (Dean, Academics)  
**Prof. S. R. Gavali** (Dean, Administration)  
**Dr. R. R. Gidde** (Dean, R & D)  
**Prof. K. B. Patil** (Dean, Students)  
**Prof. A. A. Mote** (Dean, P&CA)  
**Prof. A. A. Jadhav** (Dean, T&AA)  
**Dr. D. S. Chaudhari** (Dean, APP)

## CONVENOR

**Prof. K. B. Patil**  
Assistant Professor and Head,  
Department of Master of Business Administration

## COORDINATORS

**Prof. S.A. Jagtap** (sajagtap@coeep.sveri.ac.in)

## ORGANIZING COMMITTEE

**Prof. K. B. Patil**                      **Prof. S.A. Jagtap**  
**Prof. S.B. Ronge**